



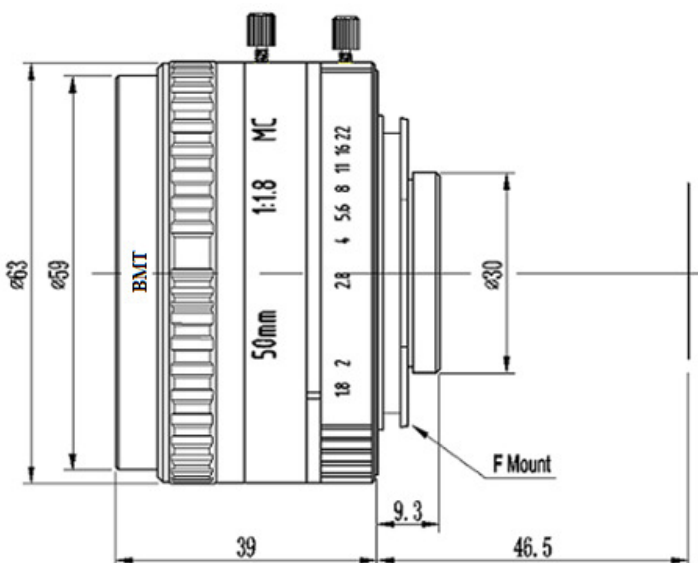
# 50 MM F-MOUNT MACHINE VISION LENS BMT-50F18MP



Version: V1.1-JULY-2017

### Key Highlights

- 50 MM high performance mega-pixel F-Mount camera lens
- Very Low distortion
- Iris & Focus locking screws
- 12 Month warranty
- Made of Metal



“BMT” is trademark of “BalaJi MicroTechnologies Pvt. Ltd.”

| Model No                             |       | BMT-50F18MP                       |
|--------------------------------------|-------|-----------------------------------|
| Resolution                           |       | 5 MP                              |
| Focal Length                         |       | 50 MM                             |
| Iris Range                           |       | F 1.8~F 22                        |
| Lens Mount                           |       | F-Mount                           |
| Imager Format                        |       | 43 MM (FULL FRAME)                |
| Field of View                        |       | D (46.0°) x H (39.1°) x V( 26.5°) |
| Control                              | Focus | Manual                            |
|                                      | Iris  | Manual                            |
| Back Focal Length                    |       | 37.3 MM                           |
| Minimum Object Distance (M.O.D)      |       | 0.4 M                             |
| Flange Back Length                   |       | 46.5 MM                           |
| Distortion                           |       | <0.9 %                            |
| Filter Size                          |       | M52 P=0.75mm                      |
| Lens Structure                       |       | 7 ELEMENTS, 6 GROUPS, (ALL GLASS) |
| Working Temperature (degree celcius) |       | -10~+50                           |
| Weight                               |       | ~300 GM                           |

### Europe Business

BlueVision Technologies Europe GmbH (BVT)  
(A Unit of B.B. Group of Companies)

Office: Einsteinstraße 28 | 85521 Ottobrunn |  
Germany

Email: sales.germany@bluevision-technologies.com

Website: <http://www.bluevision-technologies.com/>

### India Business

BalaJi MicroTechnologies Pvt. Ltd (BMT)  
(A Unit of B.B. Group of Companies)

Corporate Headquarter—New Delhi, India

Sales Office: D-2/20, Sector 10 | DLF Faridabad-121006  
| Haryana, INDIA

Tel # +91-129-6561300 , +91-129-4006203

India: sales.india@balaji-microtechnologies.com

overseas: sales.overseas@balaji-microtechnologies.com

Website: <http://www.balaji-microtechnologies.com/>