

“Contribute to Make in India Program”



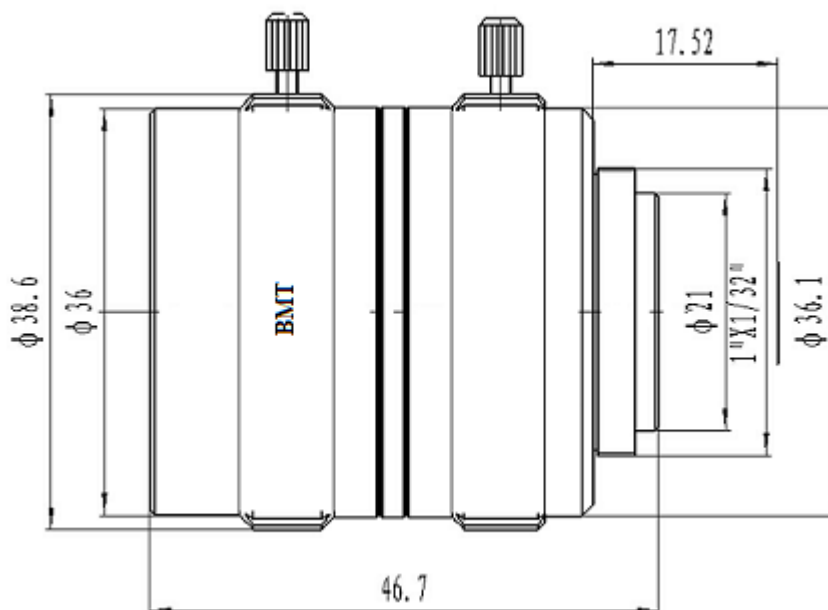
2/3" MegaPixel Camera Lens BMT-18355MP



Key Highlights

Release Version: V1.0-JULY-2017

- 2/3" imager format High performance C-Mount camera lens
- Very Low distortion
- Highly compact
- Iris & Focus locking screws
- 12 Month warranty
- Made of Metal



“BMT” is trademark of “BalaJi MicroTechnologies Pvt. Ltd.”

Model No		BMT-18355MP
Resolution		5 MP
Focal Length		35 MM
Iris Range		F# 1.8
Lens Mount		C-Mount
Imager Format		2/3"
Angle of View		D (18°) x H (14.4°) x V (10.8°)
Lens Structure		6 Elements, 4 Groups
Spectral Transmission		485~580nm
MOD		0.5 M
Control	Focus	Manual
	Iris	Manual
Back Focal Length		12.7 MM
Working Temperature (degree celcius)		-10~+50
Weight		110 gm

Europe Business

BlueVision Technologies Europe GmbH (BVT)
(A Unit of B.B. Group of Companies)

Office: Einsteinstraße 28 | 85521 Ottobrunn |
Germany

Email: sales.germany@bluevision-technologies.com

Website: <http://www.bluevision-technologies.com/>

India Business

BalaJi MicroTechnologies Pvt. Ltd (BMT)
(A Unit of B.B. Group of Companies)

Corporate Headquarter—New Delhi, India

Sales Office: D-2/20, Sector 10 | DLF Faridabad-121006
| Haryana, INDIA

Tel # +91-129-6561300 , +91-129-4006203

India: sales.india@balaji-microtechnologies.com

overseas: sales.overseas@balaji-microtechnologies.com

Website: <http://www.balaji-microtechnologies.com/>